

6

5

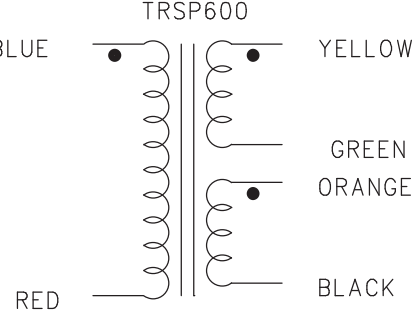
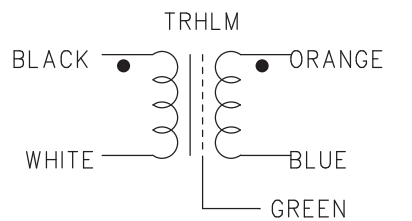
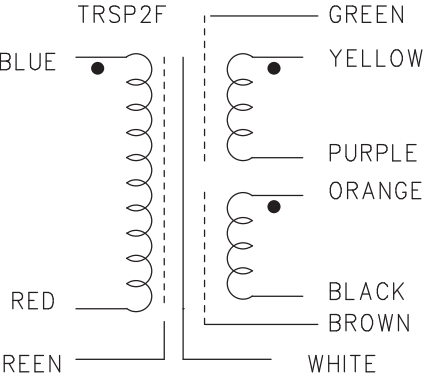
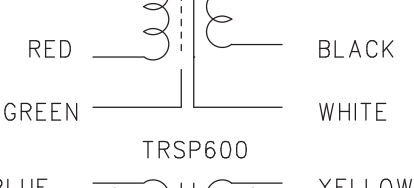
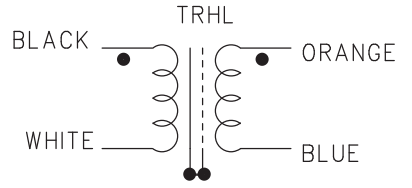
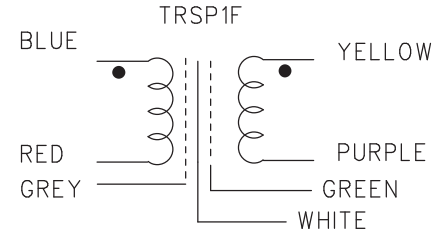
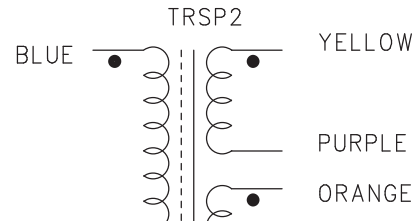
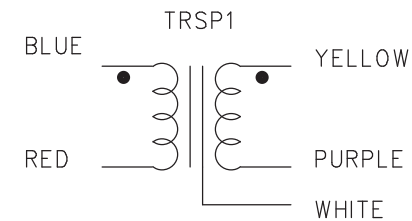
4

3

2

1

REVISION RECORD			
LTR	ECO NO:	APPROVED:	DATE:



COMPANY: WHIRLWIND

TITLE:

DRAWN: Jim Kelsey	DATED: 5/22/9
CHECKED:	DATED:
QUALITY CONTROL:	DATED:
RELEASED:	DATED:

CODE:	SIZE:	DRAWING NO:	REV:
SCALE:		SHEET: OF	

D

D

C

C

B

B

A

A