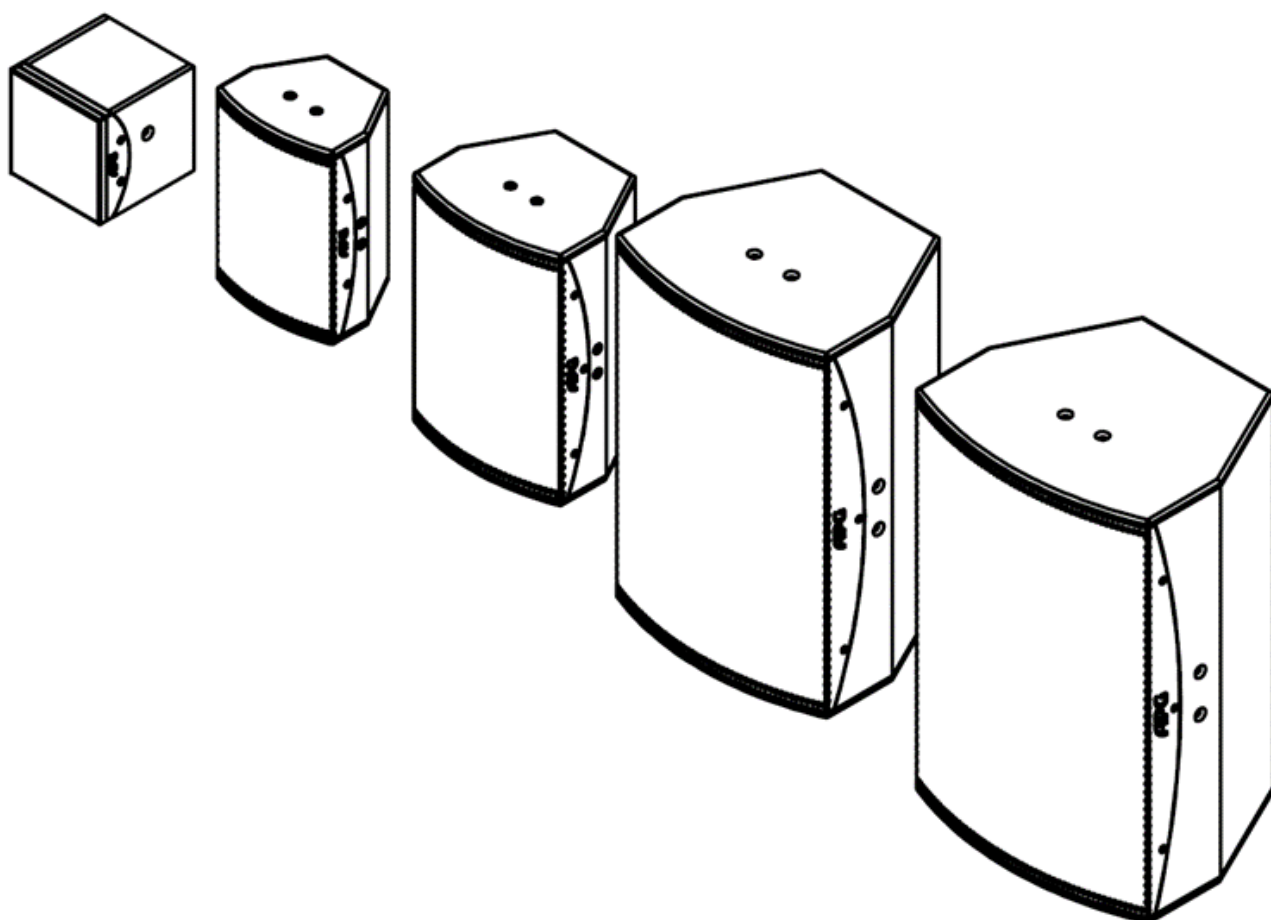


User manual



1. Safety note and general information	5
2. The iX range	7
2.1 Description of the product line	7
2.2 Product description	8
2.3 Connections	13
2.4 Accessories	14
2.5 Amplifiers	20
2.6 Applications	21
2.7 Maintenance - Spare parts	24
2.8 Technical specifications	29
2.9 iX-O : iX Series special Outdoor	34

General informations

iX Series - User manual
01/2022 EN

APG France (Active Audio / Arbane Groupe)
8 Rue Johannes Gutenberg - 44340 Bouguenais- France
Tél : 02.40.46.66.64
www.apg.audio/en

1. Safety note and general information

- Information on the risk of exposure to high sound level
- APG loudspeakers are liable to generate levels of sound pressure hazardous to health, which may cause hearing impairment. It is recommended that you never stand in the immediate vicinity of the loudspeakers in operation and wear hearing protection when necessary. Observe the maximum exposure time to noise according to the noise level and the regulations in force in your country. Pay attention to the hearing protection of listeners when using APG systems.
- Read this manual before use and keep it.
- Read all documents relating to the product to be used before setting up and using it. Please contact APG with any questions relating to the product.
- Obtain the latest version of the user manual from the APG website: www.apg.audio.
- Consider all warnings and follow the instructions and recommendations for use.
- Make sure you know the safety rules for hanging, stacking or setting up on a pole or tripod. Failure to follow these rules may expose people to potential injury or death.
- Ensure the safety of operators and spectators.
- Staff must wear personal protective equipment (PPE) during each step of installing the product (helmet, gloves, safety shoes at a minimum).
- Installation of APG products should only be carried out by qualified staff trained in rigging techniques and aware of the safety recommendations set out in this manual.
- Always check the stability, resistance to weight, flatness and horizontality of the support. Prevent access to the spectators around the system, prevent it being possible to push or climb the stack of speakers. Use straps to prevent tipping.
- Do not store the product on an unstable cart, stand, tripod, bracket or table.
- Use the products with the specified accessories by the manufacturer.
- Inspect lifting products and accessories before each use.
- Do not install equipment that is faulty or presents a risk of breakage and have it repaired by qualified personnel or by APG.
- Entrust all repairs to qualified staff or by APG. Repairs are mandatory if the device is damaged in any way, for example: damaged power cord or plug, spilled liquid or object dropped inside the device, exposure of the device rain or moisture for long periods of time, appliance that does not operate normally or that has been dropped.
- Any unauthorized maintenance operation will void the product warranty.
- Perform safety and compliance checks of accessories, enclosures, and third-party accessories periodically at least once a year.
- Respect the maximum load capacity of each configuration and carry out conformity simulations using the tools APG Tools, APG Uniline Aiming Tool, AFMG EASE Focus 3.
- Use only with a cart, tripod, bracket, or table specified by the manufacturer, or sold with the apparatus. If a cart is used, move the cart-apparatus combination carefully so as not to tip it over, which could cause personal injury.
- Do not install near a heat source such as an open flame, radiator, heat register, stove or any other device that produces heat (including amplifiers).
- Do not expose the product to extreme conditions such as humidity (rain, sea water, condensation, ambient humidity, etc.), excessive heat (sun, heating, etc.) over a long period.
- Take into account the effects of the wind. Flying loudspeakers overhead at wind forces higher than, 16 mph (25km/h) is not recommended. If the wind force exceeds 46 mph (72km/h):
 - Make sure that no person remains in the vicinity of the loudspeaker array.
 - Lower and secure the array.
- During an outdoor performance, it is advisable to find out about the weather conditions and to follow the local weather report and the recommendations of the competent authorities. An anemometer can be used at the top of the system.



- Use a secondary safety system for any APG speaker rigging.
- The product is intended for be used by professionals trained in professional audio work.
- APG declines all responsibility in the event of the use of non-validated accessories or non-compliance with safety instructions and rules.
- APG products are guaranteed for 5 years. The full five-year warranty covers filters and transducers against manufacturing defects under normal product use.
- APG pursues a research and development policy aimed at improving its products. For this reason, new materials, manufacturing methods and changes in principle may be introduced without prior warning. As a result, an APG product may differ in some aspects from its published description, however, unless otherwise indicated, its characteristics will be greater than or equal to those published.
- Disposal of electrical or electronic equipment
- This symbol on the product or on its packaging indicates that it will not be treated as household waste. Instead it will be delivered to the applicable collection point for the recycling of electrical and electronic equipment. By ensuring recycling, you will help prevent potential consequences for the environment and human health. Recycling of materials will help conserve natural resources. For more detailed information on recycling this product, please contact your local office, waste collection agency or dealer.



2. The iX range

2.1 Description of the product line

iX Series is a range of 5 high-quality speakers dedicated to professional installations.

Aesthetic and compact, they deliver a high sound level while offering a high quality of sound reproduction. Their bandwidth has been designed to allow wideband use of loudspeakers and meet the requirements of users up to high power musical applications. Their homogeneous dispersion makes them ideal for applications of short and medium range sound systems, additional diffusion and spatial sound systems.

Designed for fixed installation, the iX Series speakers feature ergonomic options for quick and easy installation.

The combination of coaxial technology and proprietary 'APG NDB' baffling allows a distortion-free and uniform sound distribution for a pure and faithful result throughout the sound space for the enjoyment of listeners.



APG NDB - No Diffraction Baffle

Harmoniously extending the coaxial transducer, the anti-diffraction 'APG NDB' baffle allows a perfect adaptation of the enclosure to its environment

2.2 Product description

iX5

The APG iX5 model is a 2 ways fullrange coaxial speaker. The iX5 is characterized by its visual discretion and its limited weight.

The Lo section is reproduced by a high-elongation 5" coaxial driver passively connected with a 1" dome tweeter for the Mid/Hi section.

The impedance of the APG iX5 is 16 Ohm, allowing up to 8 speakers to be connected in parallel on one amplifier channel.

The iX5 speaker is equipped with an Euroblock type connector / Phoenix 4 pins allowing connection to amplifiers on terminal blocks 1+/1-.

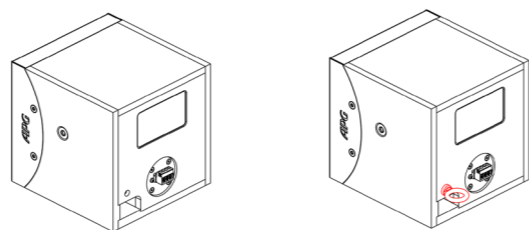
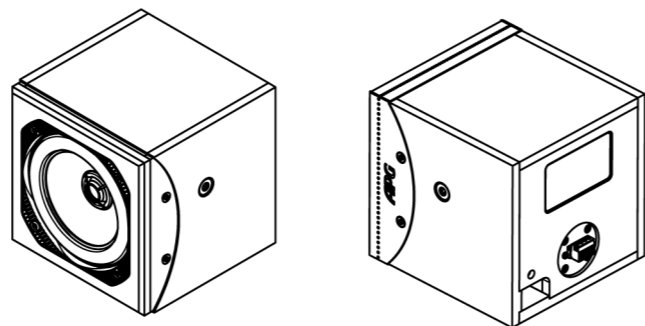
The frequency bandwidth operate from 60Hz to 20kHz and can be extended with APG subwoofers.

The conical dispersion is 105° and the frequency spectrum is constant thanks to the use of coaxial and 'APG NDB' technologies.

The speaker has one 3/8" insert for mounting on a round-base microphone stand and two inserts for the iX5B mounting bracket.

An M5 insert is installed on the rear face of the enclosure allowing the use of a safety sling in addition to the iX5B mounting bracket.

The front grid protects the loudspeakers and provides an aesthetic finish.



Rear panel insert

iX6

The APG iX6 is a 2 ways fullrange coaxial speaker. The iX6 is characterized by its minimal footprint and weight.

The Lo section is reproduced by a 6.5" coaxial loudspeaker passively connected with a 1" dome tweeter for the Mid/Hi section.

The impedance of the APG iX6 is 8 Ohm, allowing up to 4 speakers to be connected in parallel on one amplifier channel.

The iX6 speaker is equipped with an Euroblock type connector / Phoenix 4 pins allowing connection to amplifiers on terminal blocks 1+/1-.

The frequency bandwidth operate from 60Hz to 20kHz and can be extended with APG subwoofers.

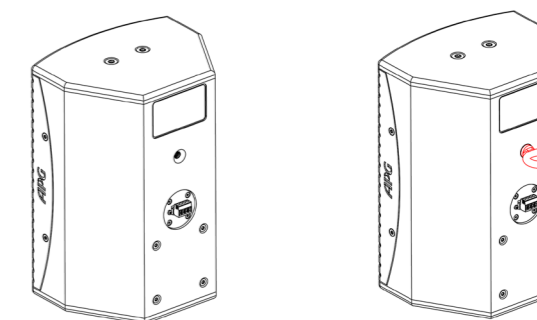
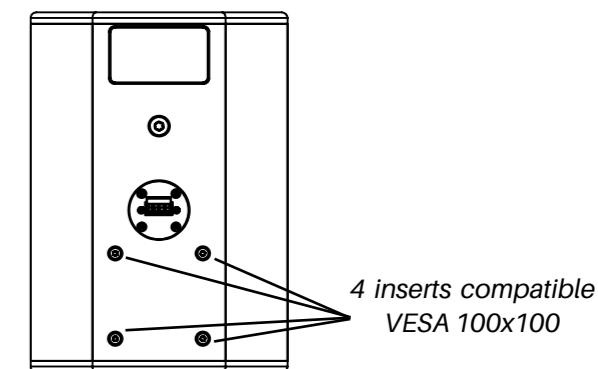
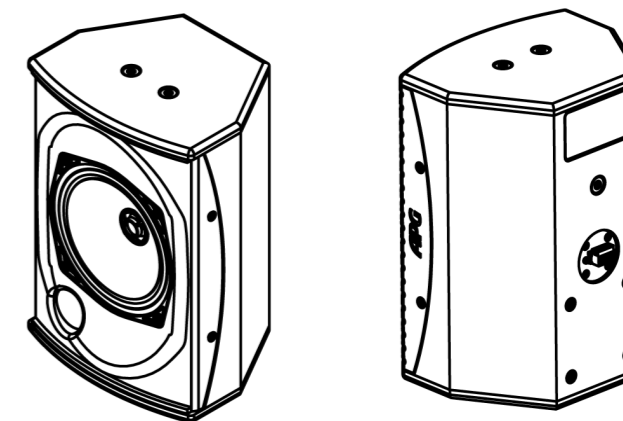
The conical dispersion is 120° and the frequency spectrum is constant thanks to the use of coaxial and 'APG NDB' technologies.

The speaker has one 3/8" insert for mounting on a round-base microphone stand and two inserts for the iX6B mounting bracket.

In order to extend the possibilities of hanging, the speaker is VESA 100x100 compatible, with 4 inserts on the rear panel allowing it to be suspended.

A M5 insert is installed on the rear face of the enclosure allowing the use of a safety sling in addition to the iX6B mounting bracket.

The front grid protects the loudspeakers and provides an aesthetic finish.



Rear panel insert

iX8

The APG iX8 model is a 2 ways fullrange coaxial speaker. Its dimensions and performance make it suitable for many applications (distributed sound, spatialization, delays, front-fills...).

The Lo section is reproduced by a neodymium vented 8" coaxial loudspeaker passively connected with a 1" HF driver for the Mid/Hi section.

The impedance of the APG iX6 is 8 Ohm, allowing up to 2 speakers to be connected in parallel on one amplifier channel.

The iX8 speaker is equipped with two Speakon NL4 connectors allowing connection to amplifiers on the 1 + / 1- terminal blocks. 2 + / 2- points are linked in parallel on the two connectors but are not connected to the transducers.

The frequency bandwidth operate from 60Hz to 20kHz and can be extended with APG subwoofers.

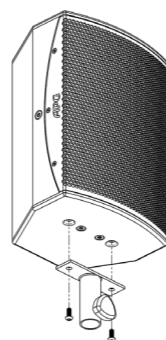
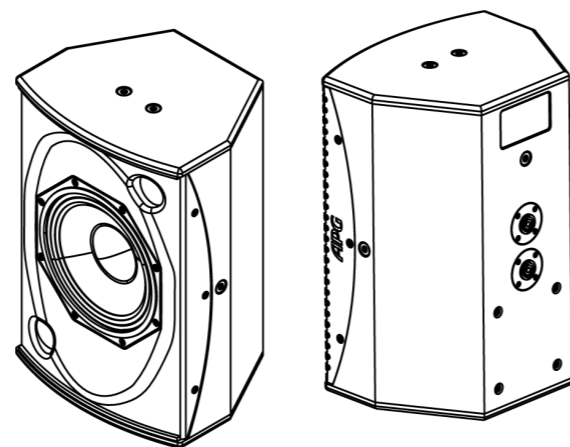
The conical dispersion is 100° and the frequency spectrum is constant thanks to the use of coaxial and 'APG NDB' technologies.

The speaker has two M8 inserts compatible with K&M 24281 third-party accessories to instal the speaker on a 35mm pole-stand.

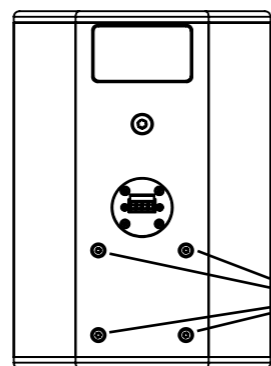
In order to extend the possibilities of hanging, the speaker is VESA 100x100 compatible, with 4 inserts on the rear panel allowing it to be suspended.

A M8 insert is installed on the rear face of the enclosure allowing the use of a safety sling.

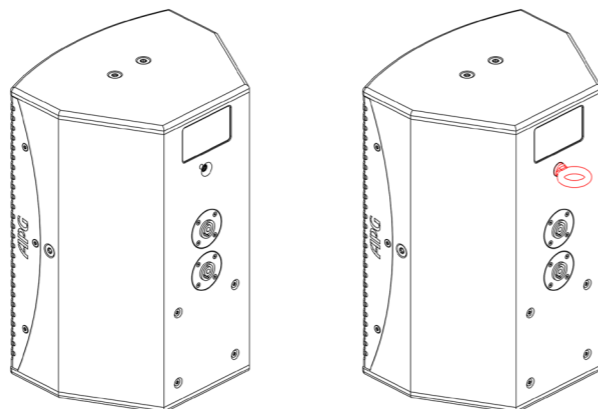
The front grid protects the loudspeakers and provides an aesthetic finish.



K&M 24281 accessories for 35mm pole mount installation



4 inserts compatible VESA 100x100



Rear panel insert

iX12

The APG iX12 model is a high performance 2 ways fullrange coaxial speaker. The iX12 can reproduce all kind of music with a huge sound pressure level, with or without additional subwoofer.

The Lo section is reproduced by a neodymium vented 12" coaxial loudspeaker passively connected with a 1.4" HF driver for the Mid/Hi section.

The impedance of the APG iX12 is 8 Ohm, allowing up to 2 speakers to be connected in parallel on one amplifier channel.

The iX12 speaker is equipped with two Speakon NL4 connectors allowing connection to amplifiers on the 1 + / 1- terminal blocks. 2 + / 2- points are linked in parallel on the two connectors but are not connected to the transducers.

The frequency bandwidth operate from 50Hz to 20kHz and can be extended with APG subwoofers.

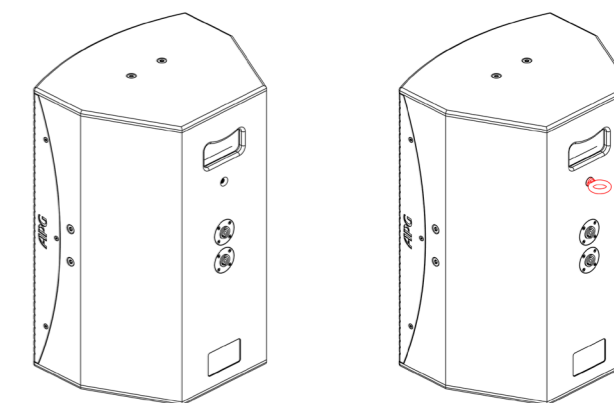
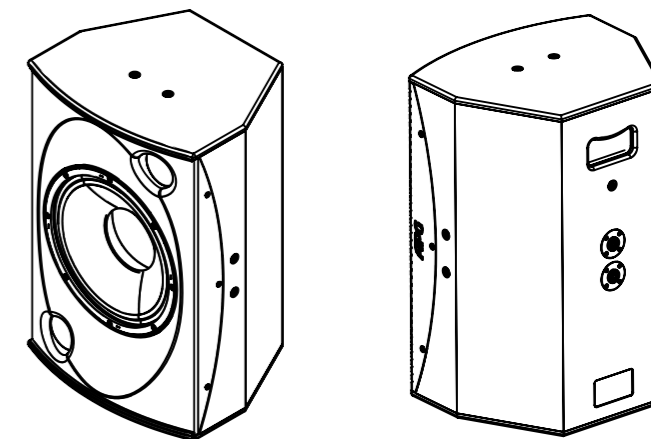
The conical dispersion is 90° and the frequency spectrum is constant thanks to the use of coaxial and 'APG NDB' technologies.

The speaker has a 35mm pole-stand base and side inserts for iX12BH and iX12BV mounting brackets.

A M8 insert is installed on the rear face of the enclosure allowing the use of a safety sling.

The front grid protects the loudspeakers and provides an aesthetic finish.

A handle is integrated on the upper rear face of the enclosure for easy gripping.



Rear panel insert

iX15

The APG iX15 model is a high power 2 ways fullrange coaxial speaker. The iX15 is characterized by its deep bass and non-aggressivity at very high levels.

The speaker will fits in all applications where dynamics and sound quality are required: concert halls, clubs and discotheques... .

The Lo section is reproduced by a neodymium vented 15" coaxial loudspeaker passively connected with a 1.4" HF driver for the Mid/Hi section.

The impedance of the APG iX15 is 8 Ohm, allowing up to 2 speakers to be connected in parallel on one amplifier channel.

The iX12 speaker is equipped with two Speakon NL4 connectors allowing connection to amplifiers on the 1 + / 1- terminal blocks. 2 + / 2- points are linked in parallel on the two connectors but are not connected to the transducers.

The frequency bandwidth operate from 45Hz to 20kHz and can be extended with APG subwoofers.

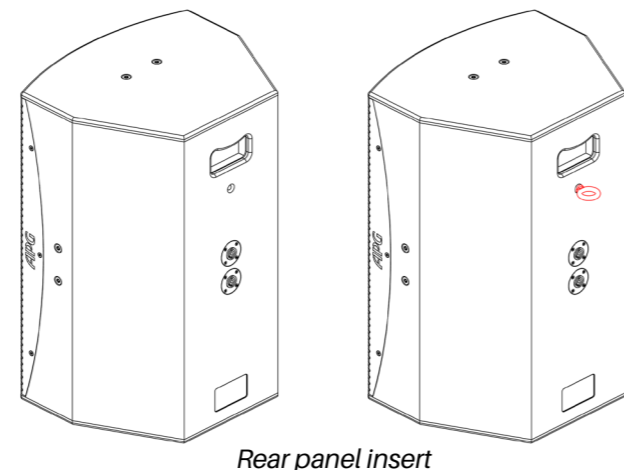
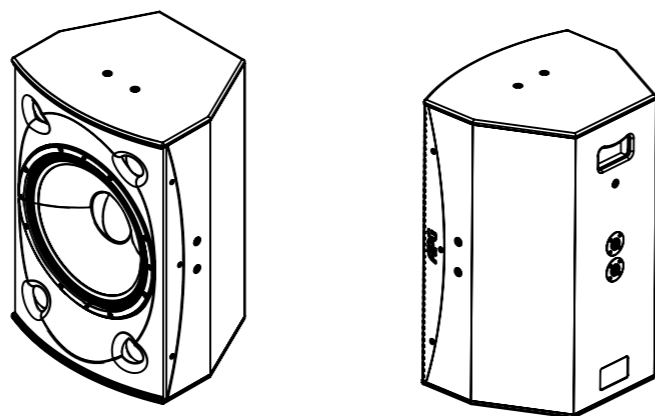
The conical dispersion is 90° and the frequency spectrum is constant thanks to the use of coaxial and 'APG NDB' technologies.

The speaker has a 35mm pole-stand base and side inserts for iX15BH and iX15BV mounting brackets.

A M8 insert is installed on the rear face of the enclosure allowing the use of a safety sling.

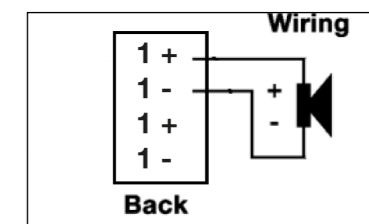
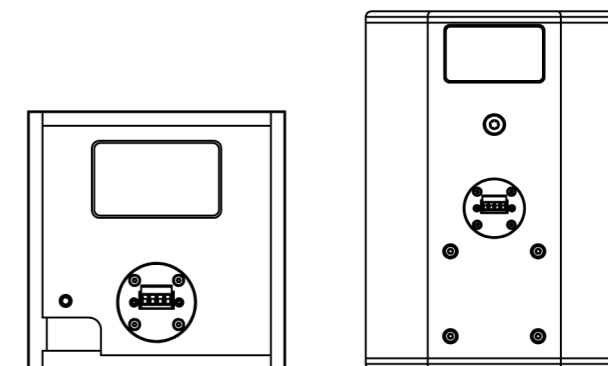
The front grid protects the loudspeakers and provides an aesthetic finish.

A handle is integrated on the upper rear face of the enclosure for easy gripping.



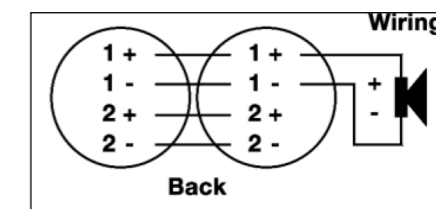
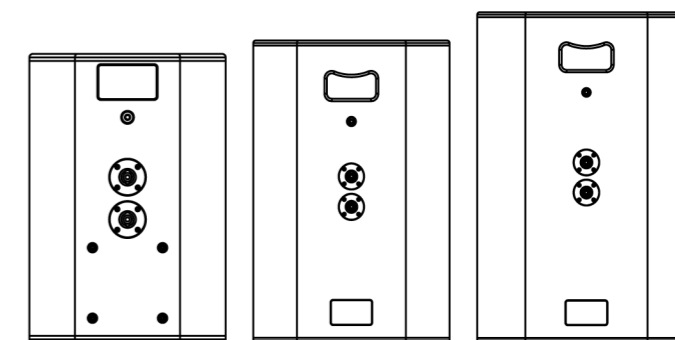
2.3 Connections

The iX5 and iX6 are equipped with a 4 pins Phoenix(Euroblock) connector. The speakers are wired to 1+/1- pins.



Internal wiring of iX5 and iX6

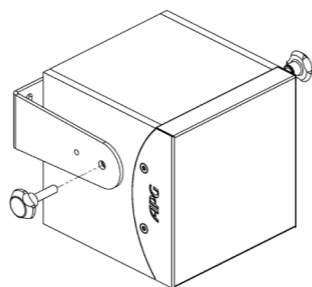
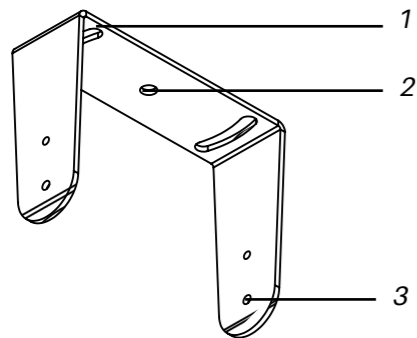
The iX8, iX12 and iX15 loudspeakers are equipped with two speakon NL4 connectors. The 4 NL4 pins are linked in parallel. The speakers are wired to 1+/1- pins.



Internal wiring of iX8/12/15

2.4 Accessories

iX5B



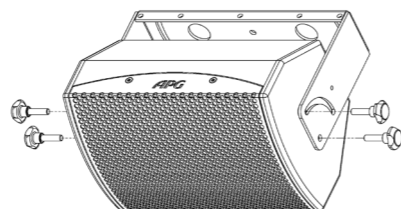
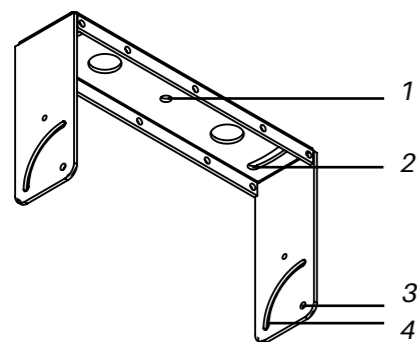
Loudspeaker bracket for iX5

- 1 : Slotted hole with horizontal pan adjustment
- 2 : Fixed \varnothing 8.5mm hole for wall/ceiling mounting
- 3 : \varnothing 9mm hole for speaker attachment

Installation instructions :

- Mount the bracket to the speaker using the screws in the hole n°3.
- Make sure to tight enough in order to keep the desired angle.

iX6B



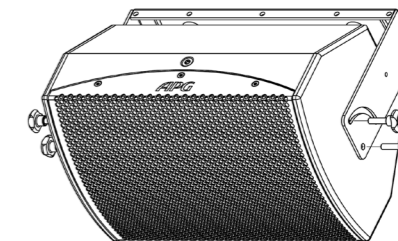
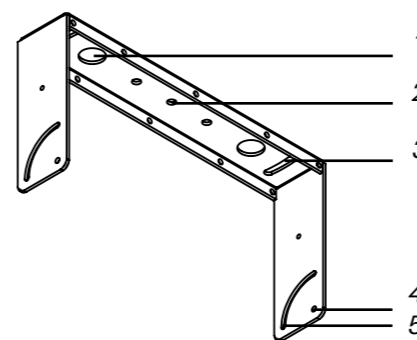
Loudspeaker bracket for iX6

- 1 : Fixed \varnothing 8.5mm hole for wall/ceiling mounting
- 2 : Slotted hole with horizontal pan adjustment
- 3 : \varnothing 9mm hole for speaker attachment
- 4 : \varnothing 9mm slotted hole for speaker tilt adjustement

Installation instructions :

- Mount the bracket to the speaker using the screws in the hole n°3 & 4.
- Make sure to tight enough in order to keep the desired angle.

iX8BH



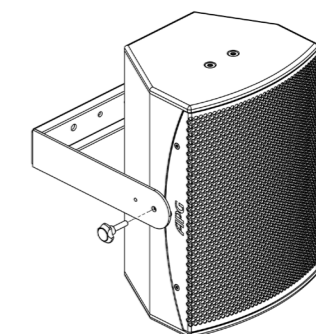
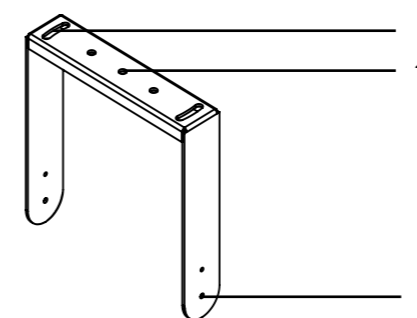
Horizontal loudspeaker bracket for iX8

- 1 : \varnothing 32mm hole for speaker cable
- 2 : Fixed \varnothing 8.5mm hole for wall/ceiling mounting
- 3 : Slotted hole with horizontal pan adjustment
- 4 : \varnothing 9mm hole for speaker attachment
- 5 : \varnothing 9mm slotted hole for speaker tilt adjustement

Installation instructions :

- Mount the bracket to the speaker using the screws in the hole n°4 & 5.
- Make sure to tight enough in order to keep the desired angle.

iX8BV



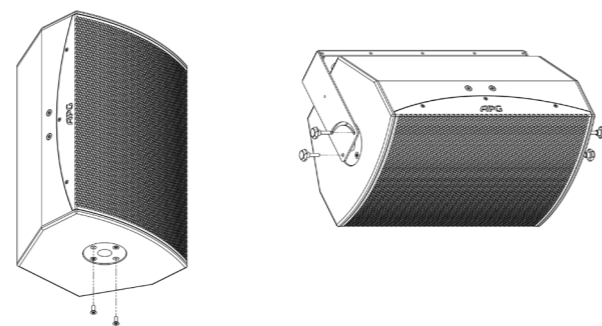
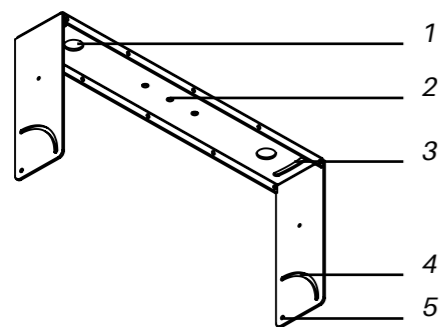
Vertical loudspeaker bracket for iX8

- 1 : Slotted hole with horizontal pan adjustment
- 2 : Fixed \varnothing 8.5mm hole for wall/ceiling mounting
- 3 : \varnothing 9mm hole for speaker attachment

Installation instructions :

- Mount the bracket to the speaker using the screws in the hole n°3.
- Make sure to tight enough in order to keep the desired angle.

iX12BH / iX15BH



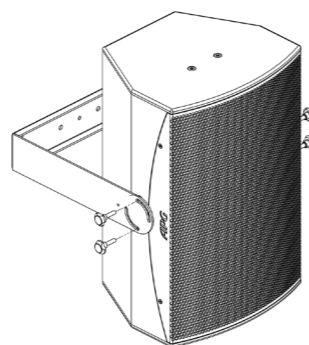
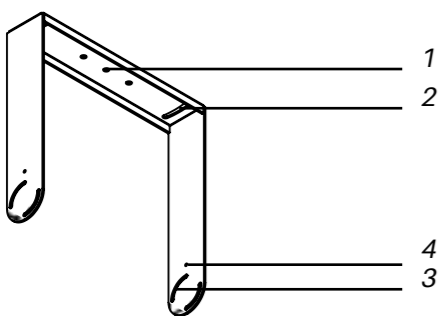
Horizontal loudspeaker bracket for iX12 et iX15

- 1 : \varnothing 32mm hole for speaker cable
- 2 : Fixed \varnothing 8.5mm hole for wall/ceiling mounting
- 3 : Slotted hole with horizontal pan adjustment
- 4 : \varnothing 9mm slotted hole for speaker tilt adjustment
- 5 : \varnothing 9mm hole for speaker attachment

Installation instructions :

- Mount the bracket to the speaker using the screws in the holes n°4 & 5.
- Make sure to tight enough in order to keep the desired angle.

iX12BV / iX15BV



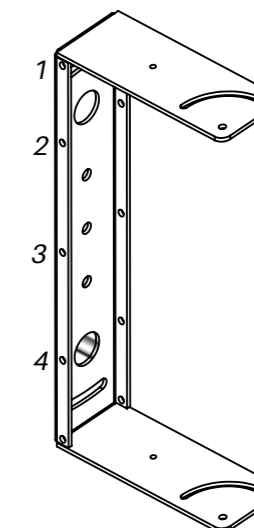
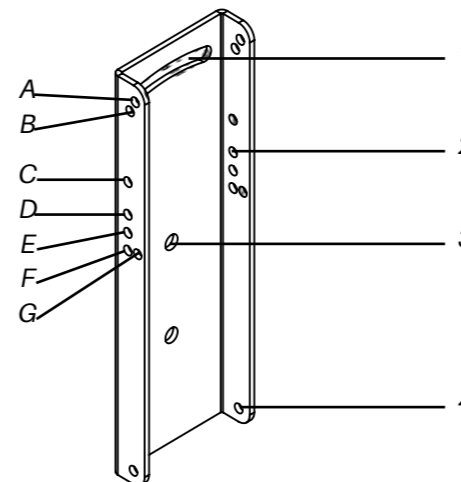
Vertical loudspeaker bracket for iX12 et iX15

- 1 : Fixed \varnothing 8.5mm hole for wall/ceiling mounting
- 2 : Slotted hole with horizontal pan adjustment
- 3 : \varnothing 9mm slotted hole for speaker tilt adjustment
- 4 : Insert \varnothing 9mm, for speaker fixation

Installation instructions :

- Mount the bracket to the speaker using the screws in the holes n°3 & 4.
- Make sure to tight enough in order to keep the desired angle.

iX8BVAP

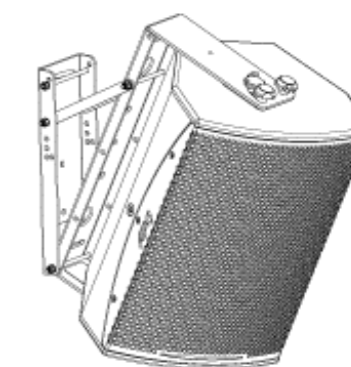
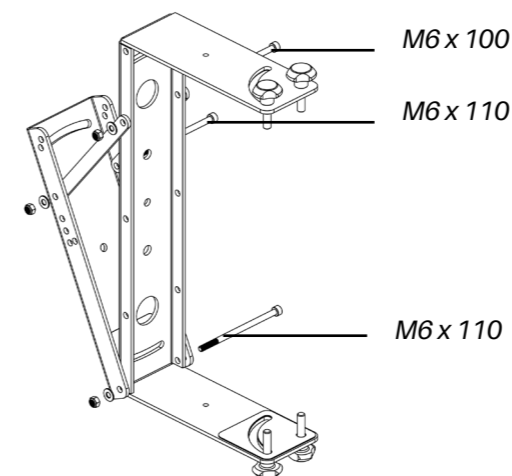


Wall-mount angulation plate for iX8BH

- 1 : Slotted hole with rotation adjustment
- 2 : Fixed \varnothing 7mm hole to set the vertical angle of the speaker
- 3 : Fixed \varnothing 8.5mm hole for wall mounting
- 4 : Fixed \varnothing 7mm hole to fix the iX8BH bracket to the BVAP wall-mount angulation plate

	1	2	3	4
A	15°	29°	33°	-
B	13°	28°	34°	-
C	-	24°	42°	34°
D	-	18°	45°	52°
E	-	13°	46°	60°
F	-	3°	47°	68°
G	-	6°	50°	70°

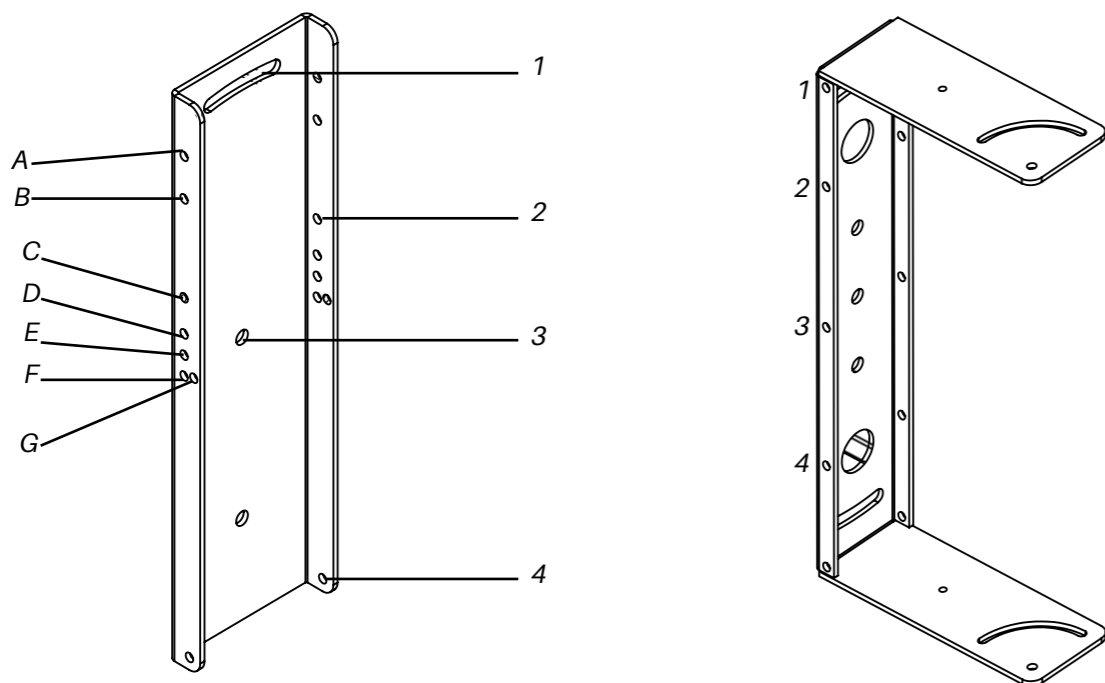
Table 1: Vertical resulting angles of the speaker depending on the iX8BVAP holes used



Mount the iX8BH bracket to the iX8BVAP wall-mount angulation plate using an M6x110 screw into the n°4 hole.

Fix the desired angle with M6x110 & M6x100 screws in the corresponding holes (refer to the Table 1).

iX12BVAP



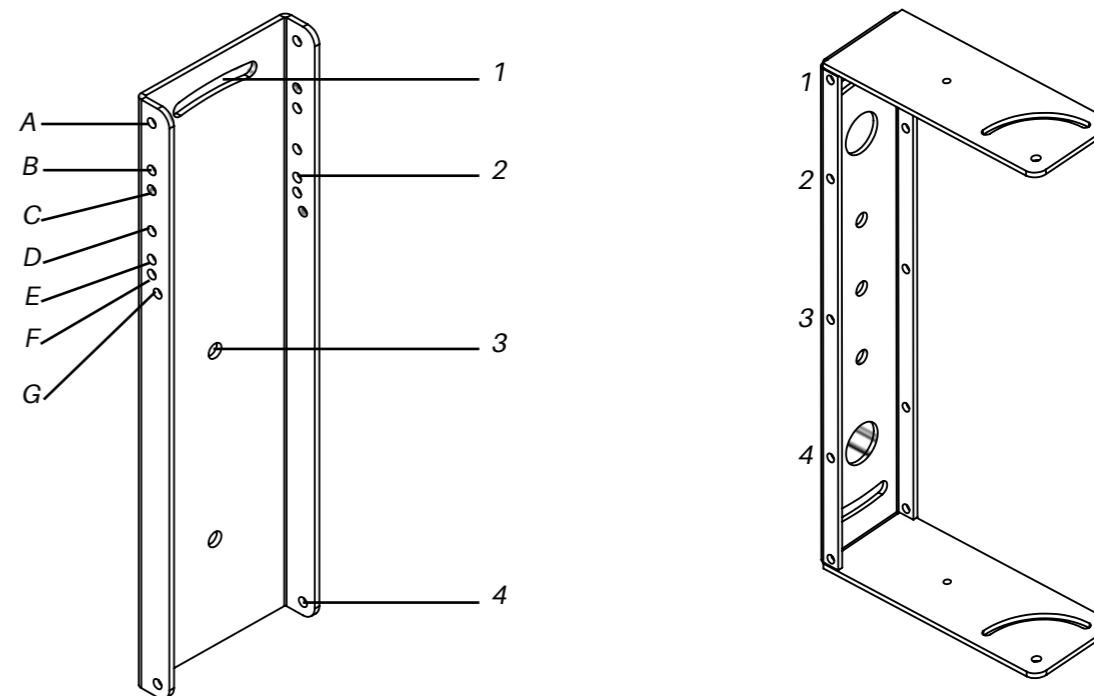
Wall-mount angulation plate for IX12BH.

- 1 : Slotted hole with rotation adjustment
- 2 : Fixed \varnothing 7mm hole to set the vertical angle of the speaker
- 3 : Fixed \varnothing 8.5mm hole for wall mounting
- 4 : Fixed \varnothing 7mm hole to fix the iX12BH bracket to the BVAP wall-mount angulation plate

	1	2	3	4
A	12°	29°	34°	-
B	1°	29°	38°	16°
C	-	24°	45°	52°
D	-	18°	48°	63°
E	-	13°	48°	68°
F	-	2°	49°	74°
G	-	6°	51°	76°

Table 2: Vertical resulting angles of the speaker depending on the iX12BVAP holes used

iX15BVAP



Wall-mount angulation plate for IX15BH.

- 1 : Slotted hole with rotation adjustment
- 2 : Fixed \varnothing 7mm hole to set the vertical angle of the speaker
- 3 : Fixed \varnothing 8.5mm hole for wall mounting
- 4 : Fixed \varnothing 7mm hole to fix the iX15BH bracket to the BVAP wall-mount angulation plate

	1	2	3	4
A	-	20°	24°	-
B	-	18°	27°	-
C	-	18°	29°	-
D	-	13°	31°	13°
E	-	8°	32°	25°
F	-	6°	34°	30°
G	-	-	35°	35°

Table 3: Vertical resulting angles of the speaker depending on the iX15BVAP holes used

2.5 Amplifiers

WARNING

APG speakers must be powered by APG or Powersoft amplifiers with the corresponding speaker preset. Failure to heed this warning may cause damage to speaker components and the user experience will not be optimal. Refer to the amplifier manual for its connection to the speakers.

The iX Series loudspeakers are equipped with a 4-pin Euroblock / Phoenix type connector (iX5 and iX6) or two Speakon NL4 connectors (iX8, iX12 and iX15).

The speakers are connected to the 1 + / 1- points on the connectors. In the case of Speakon connectors, points 2 + / 2- are linked in parallel on the two connectors but are not connected to the transducers.

	DA8	DA12
iX5	16	16
iX6	16	16
iX8	16	16
iX12	16	16
iX15	16	16

Table 4 : Loudspeakers / Amplifiers parallel wiring recommendations

In order to maintain sound quality, the wiring will be carried out with flexible deoxyged-copper speaker cable with a minimum 2.5mm² / SWG15 / AWG13 section for lengths of up to 30m maximum for one speaker per channel.

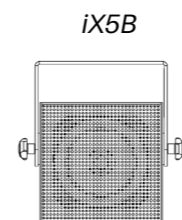
	Rec. minimum cable section [mm ²]	Rec. maximum cable length [m]
iX5	2.5mm ²	35m
iX5 x 2	2.5mm ²	20m
iX5 x 8	2.5mm ²	20m
iX6	2.5mm ²	35m
iX6 x 2	2.5mm ²	20m
iX6 x 4	2.5mm ²	15m
iX8	2.5mm ²	30m
iX8 x 2	2.5mm ²	15m
iX12	2.5mm ²	30m
iX12 x 2	2.5mm ²	15m
iX15	2.5mm ²	30m
iX15 x 2	2.5mm ²	15m

Table 5 : Recommended cable section & length depending on the configuration

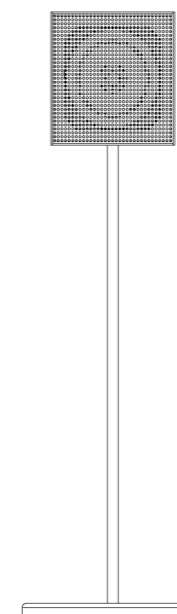
Use the APG Tools, section «Electricity and Cables» to obtain a precise wiring recommendation by simulation according to your installation constraints.

2.6 Applications

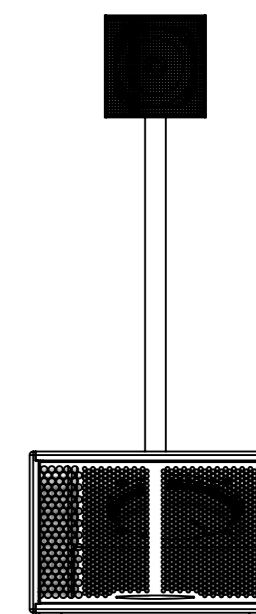
iX5



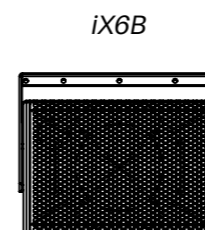
iX5 + 3/8" round-base microphone stand



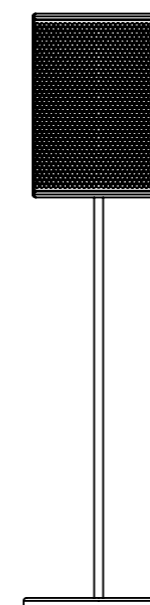
iX5 + iS110



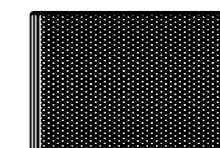
iX6



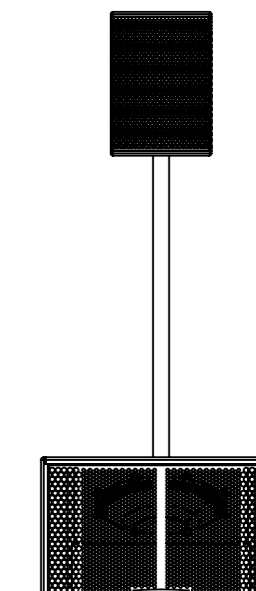
iX6 + 3/8" round-base microphone stand



iX6 + support VESA 100 x 100

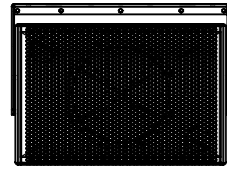


iX6 + iS112

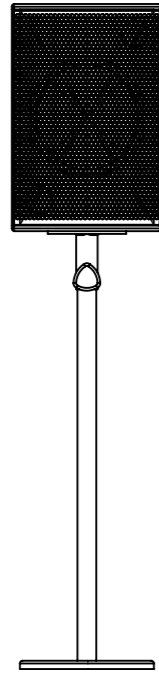


iX8

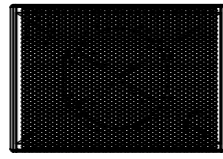
iX8BH



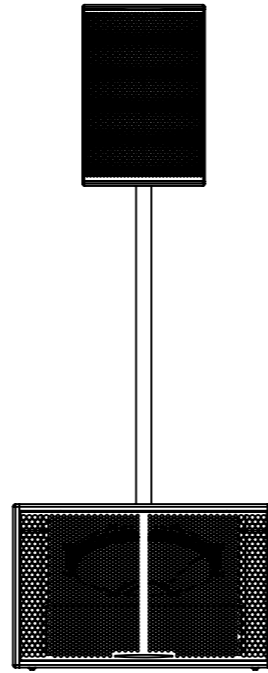
iX8 + 35mm speaker stand + K&M 24281



iX8 + support VESA 100 x 100

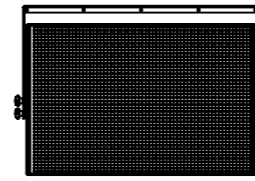


iX8 + iS115

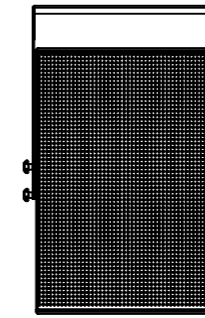


iX15

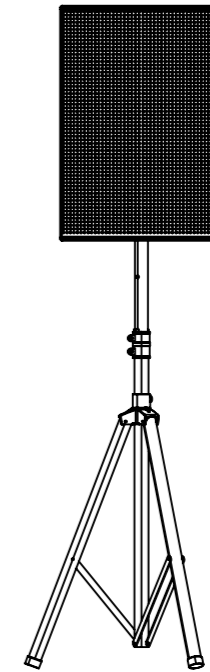
iX15BH



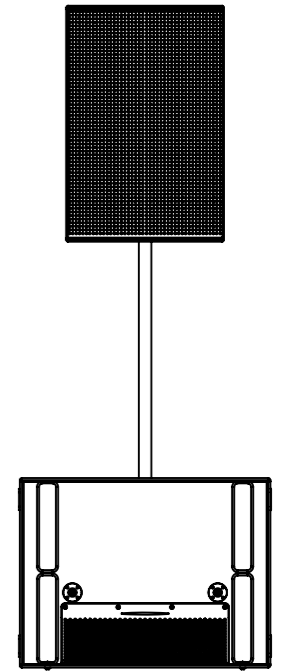
iX15BV



iX15 + 35mm speaker stand



iX15 + UC118i + 35mm M20 speaker stand



iX12

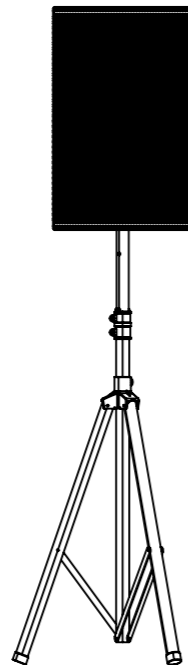
iX12BH



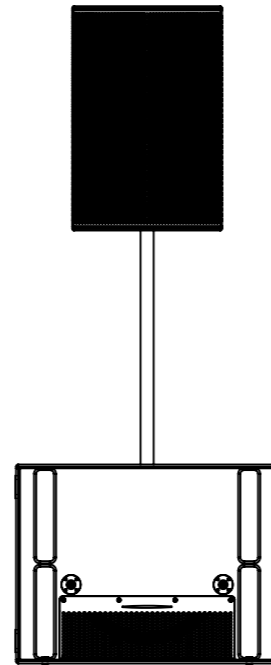
iX12BV



iX12 + 35mm speaker stand

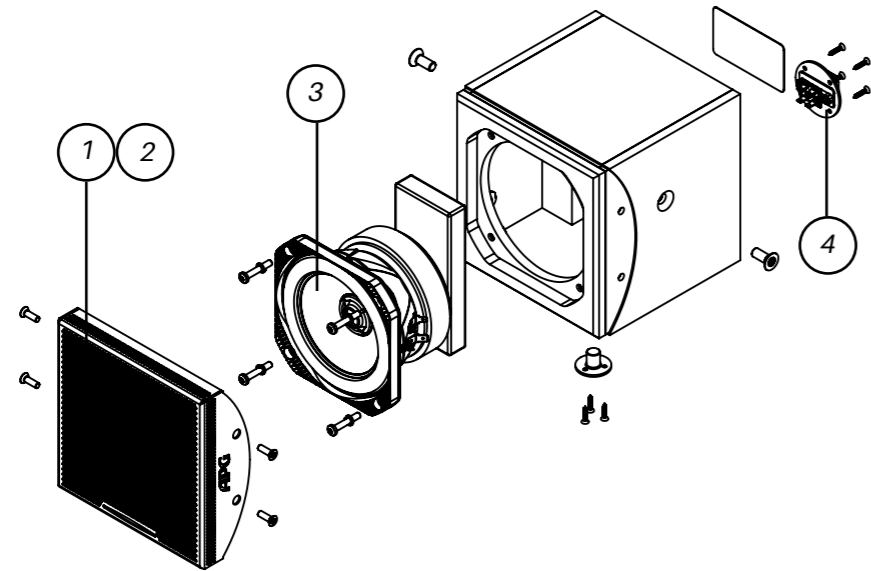


iX12 + UC118i + 35mm M20 speaker stand



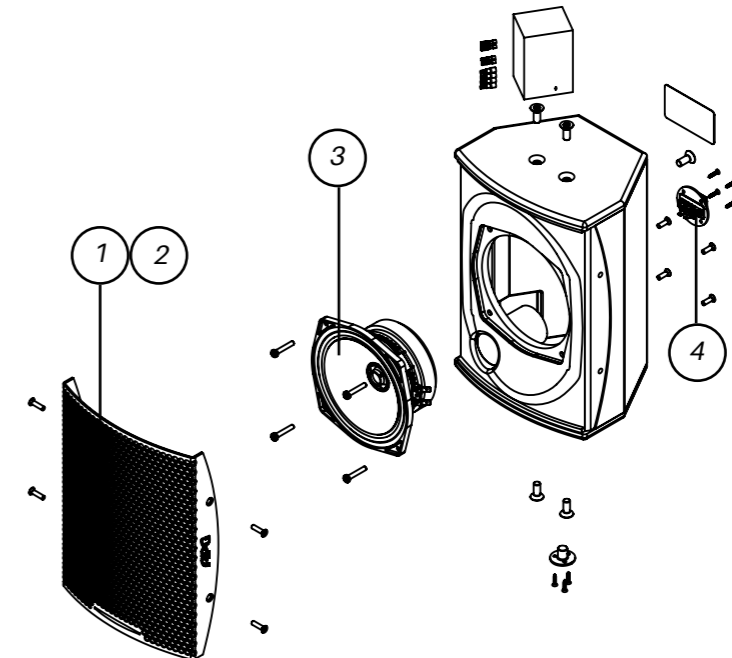
2.7 Maintenance - Spare parts

iX5 loudspeaker



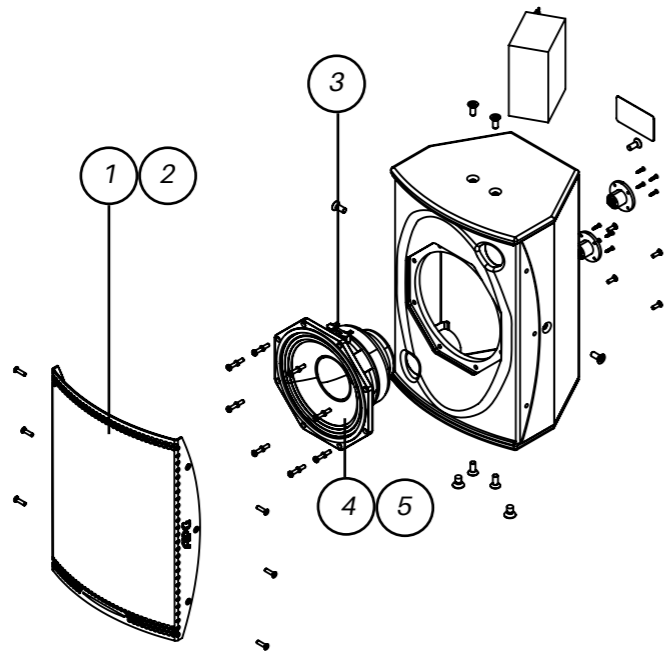
REPERE	REFERENCE	DESIGNATION
1	PRS_1091	iX5 Black steel
2	PRS_1092	iX5 White steel
3	PRS_1097	HP PST_1064 complet
4	PRS_1098	Connector Phoenix 4 pts + support Ø51mm

iX6 loudspeaker



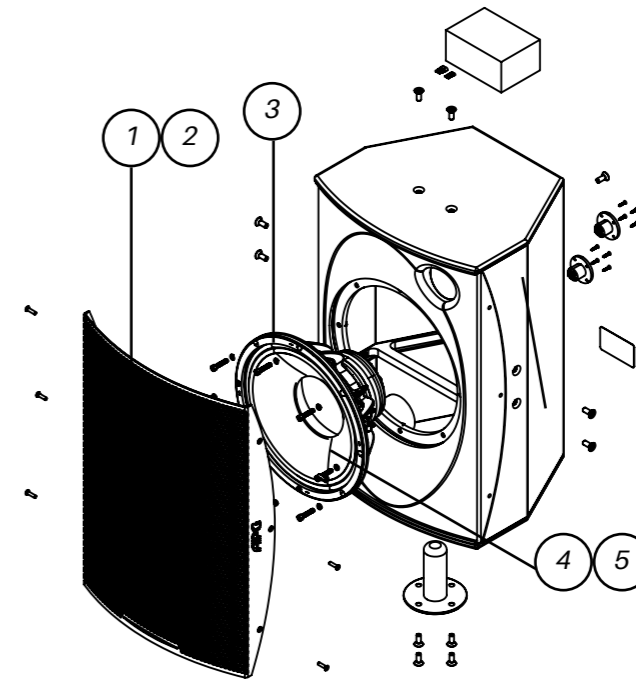
REPERE	REFERENCE	DESIGNATION
1	PRS_1099	iX6 Black steel
2	PRS_1100	iX6 White steel
3	PRS_1101	HP PST_1067 complet
4	PRS_1098	Connector Phoenix 4 pts + support Ø51mm

iX8 loudspeaker



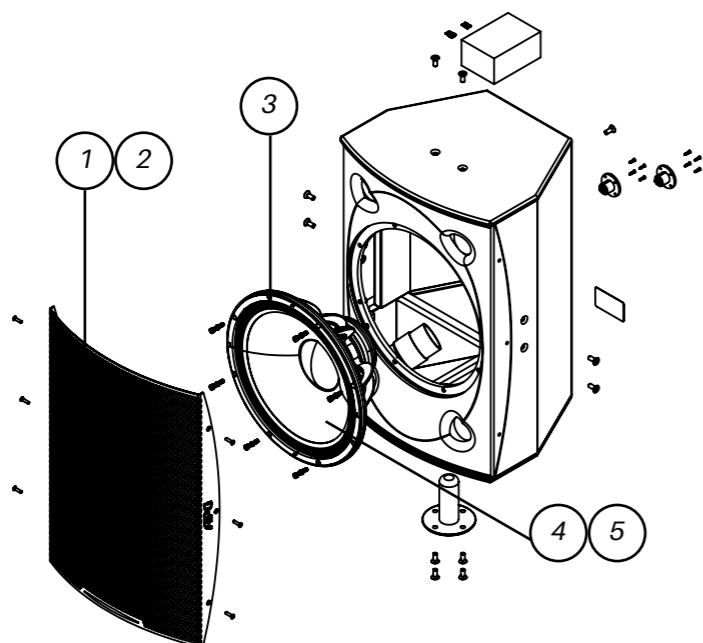
REPERE	REFERENCE	DESIGNATION
1	PRS_1111	iX8 Black steel
2	PRS_1112	iX8 White steel
3	PRS_1113	HP PST_1069 complet
4	PRS_1081	Recone kit for PST_1069
5	PRS_1082	Diaphragme PE 1,4 pouces, 8 ohm

iX12 loudspeaker



REPERE	REFERENCE	DESIGNATION
1	PRS_1114	iX12 Black steel
2	PRS_1115	iX12 White steel
3	PRS_1116	HP PST_1317 complet
4	PRS_1078	Recone kit for PST_1317
5	PRS_1080	Diaphragme 3 pouces Ti, 8 hom

iX15 loudspeaker

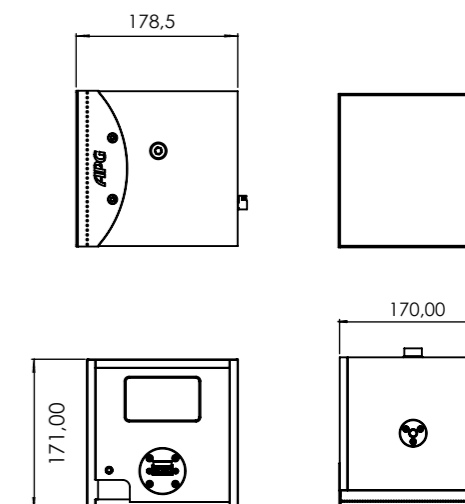


REPERE	REFERENCE	DESIGNATION
1	PRS_1117	iX15 Black steel
2	PRS_1118	iX15 White steel
3	PRS_1119	HP PST_1318 complet
4	PRS_1079	Reconekit for PST_1318
5	PRS_1080	Diaphragme 3 pouces Ti, 8 ohm

2.8 Technical specifications

iX5 loudspeaker

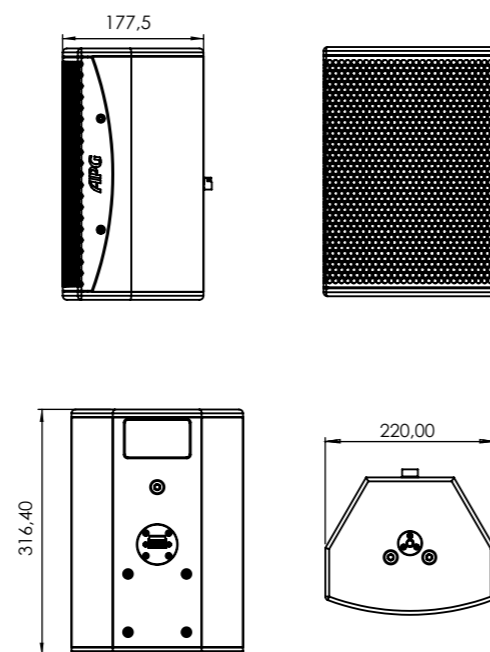
Features	
Usable bandwidth (± 10 dB)	60 Hz - 20kHz
SPL Max @ 1m	116 dB SPL (1)
Nominal directivity	105° x 105° (2)
Nominal impedance	16 ohm
Components	
Transducers	1 x 5" coaxial 1 x 1" HF ND driver
Topology	Coaxial
Acoustical load	Bass reflex
Ways and amplification type	2 way, mono amplified
Power	
AES	100W (3)
Maximum power handling	400W (4)
Construction	
Dimensions H,W,D (mm)	6,6" x 6,6" x 7,4" (170 x 170 x 190 mm)
Weight	9,2 lb (4,2 kg)
Connectors	Phoenix 2-way (2way in / 2 way out)
IP	43



- (1) Peak level @ 1m, 2msr using 12dB crest factor pink noise with APG preset
- (2) Nominal directivity @-6dB
- (3) Continuous power according to AES2-2012 in DCR
- (4) Peak power according to AES2-2012 in DCR

iX6 loudspeaker

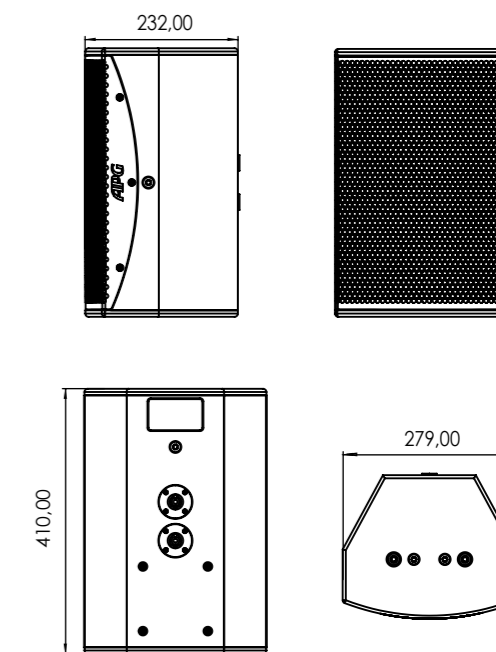
Features	
Usable bandwidth (± 10 dB)	60 Hz - 20kHz
SPL Max @ 1m	118 dB SPL (1)
Nominal directivity	120° x 120° (2)
Nominal impedance	8 ohm
Components	
Transducers	1 x 6,5" coaxial 1 x 1" HF ND driver
Topology	Coaxial - APG NDB Baffle
Acoustical load	Bass reflex
Ways and amplification type	2 way, mono amplified
Power	
AES	100W (3)
Maximum power handling	400W (4)
Construction	
Dimensions H,W,D (mm)	8,6" x 12,4" x 6,9" (220 x 316 x 177,5 mm)
Weight	13,4 lb (6,1 kg)
Connectors	Phoenix 2-way (2way in / 2 way out)
IP	43



- (1) Peak level @ 1m, 2msr using 12dB crest factor pink noise with APG preset
- (2) Nominal directivity @-6dB
- (3) Continuous power according to AES2-2012 in DCR
- (4) Peak power according to AES2-2012 in DCR

iX8 loudspeaker

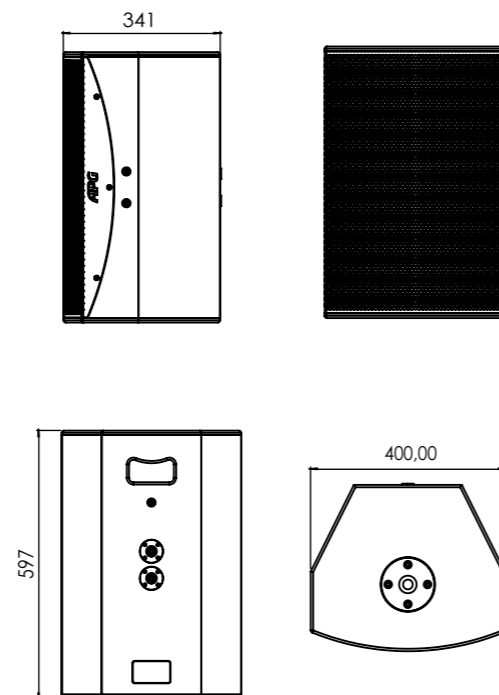
Features	
Usable bandwidth (± 10 dB)	60 Hz - 20kHz
SPL Max @ 1m	126 dB SPL (1)
Nominal directivity	100° x 100° (2)
Nominal impedance	8 ohm
Components	
Transducers	1 x 8" coaxial 1 x 1" HF ND driver
Topology	Coaxial - APG NDB Baffle
Acoustical load	Bass reflex
Ways and amplification type	2 way, mono amplified
Power	
AES	200W (3)
Maximum power handling	800W (4)
Construction	
Dimensions H,W,D (mm)	10,9" x 16,1" x 9,1" (279 x 410 x 232 mm)
Weight	24 lb (10,9 kg)
Connectors	2 x Speakon NL4MP
IP	43



- (1) Peak level @ 1m, 2msr using 12dB crest factor pink noise with APG preset
- (2) Nominal directivity @-6dB
- (3) Continuous power according to AES2-2012 in DCR
- (4) Peak power according to AES2-2012 in DCR

iX12 loudspeaker

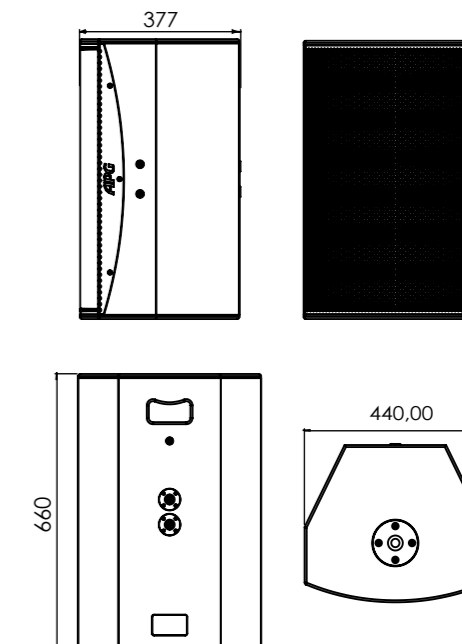
Features	
Usable bandwidth (± 10 dB)	50 Hz - 20kHz
SPL Max @ 1m	134 dB SPL (1)
Nominal directivity	90° x 90° (2)
Nominal impedance	8 ohm
Components	
Transducers	1 x 12" coaxial 1 x 1,4" HF ND driver
Topology	Coaxial - APG NDB Baffle
Acoustical load	Bass reflex
Ways and amplification type	2 way, mono amplified
Power	
AES	450W (3)
Maximum power handling	1800W (4)
Construction	
Dimensions H,W,D (mm)	15,7" x 23,5" x 13,4" (400 x 597 x 341 mm)
Weight	44 lb (20 kg)
Connectors	2 x Speakon NL4MP
IP	43



- (1) Peak level @ 1m, 2msr using 12dB crest factor pink noise with APG preset
- (2) Nominal directivity @-6dB
- (3) Continuous power according to AES2-2012 in DCR
- (4) Peak power according to AES2-2012 in DCR

iX15 loudspeaker

Features	
Usable bandwidth (± 10 dB)	45 Hz - 20kHz
SPL Max @ 1m	136 dB SPL (1)
Nominal directivity	90° x 90° (2)
Nominal impedance	8 ohm
Components	
Transducers	1 x 15" coaxial ventiled 1 x 1,4" HF ND driver
Topology	Coaxial - APG NDB Baffle
Acoustical load	Bass reflex
Ways and amplification type	2 way, mono amplified
Power	
AES	550W (3)
Maximum power handling	2200W (4)
Construction	
Dimensions H,W,D (mm)	17,3" x 25,9" x 14,8" (440 x 660 x 377 mm)
Weight	50,7 lb (23 kg)
Connectors	2 x Speakon NL4MP
IP	43



- (1) Peak level @ 1m, 2msr using 12dB crest factor pink noise with APG preset
- (2) Nominal directivity @-6dB
- (3) Continuous power according to AES2-2012 in DCR
- (4) Peak power according to AES2-2012 in DCR

2.9 iX-O : iX Series special Outdoor**IP54 loudspeakers**

Cabinet	For the cabinet, APG uses exclusively Baltic birch plywood treated with a polyurethane coating against humidity and splashing water. This coating offers better resistance to UV as well as to humid environments.
Steel	Anti-corrosion treated steel, water resistant.
Accessories	Water resistant stainless steel fixing bracket and screws.
Components	Waterproof treatment on the speaker membranes.
Connectors	Cable gland connectors as standard for iX-O range. Speakon connectors are available on specific request.



Arbane Groupe
8 Rue Johannes Gutenberg - 44340 Bouguenais- France
Tél : 02.40.46.66.64
www.apg.audio

