

Ray-On+

R70+

Mono channel amplified Column Loudspeaker

Single-channel application of the patented DGRC technology (Digital & Geometric Radiation Control), the Ray-On column family comprises 3 models from 0.2 m to 2m in height equipped with a class D power amplifier. Thanks to DGRC technology, these models yield homogenous sound coverage and perfect speech intelligibility.

The elegant design of Ray-On loudspeakers with their finely perforated grid, the ability to dispose of all colors thanks to a paintable cast aluminium body, and the vertical installation of the columns inherent to the DGRC technology allow achieving optimal results in terms of aesthetics and integration.

Equipped with an analog input and a DANTE input on RJ45 connector, Ray-On + can easily be integrated into complex digital networks. The internal DSP of the enclosure provides an optimal frequency response.

The Ray-On+ column loudspeakers can be used indoors only, enabling them to meet the needs of sound systems in houses of worship, conference rooms, or shopping malls.

With a height of 70cm, the Ray-on R70+ column has a nominal range of 12m for a continuous power of 75W. Its characteristics are perfect for medium-range venues or in distributed sound reinforcement system in large spaces. Its nominal installation height of 2,0m allows a safety set up in public places.

With a similar height and characteristics Ray-on R70+ exists in low impedance or 70V/100V version under the reference Ray-on R70.



Max SPL: 91dB at 5m

Bandwidth: 120Hz-18kHz

Continuous Power: 75W

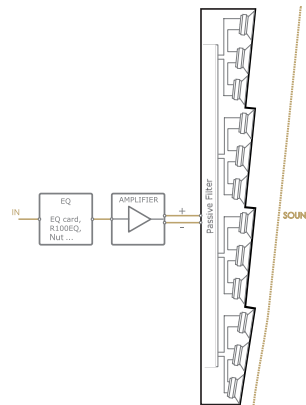
 Dante™

Paintable

5 years warranty

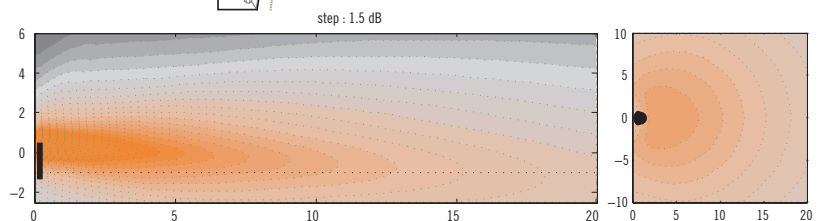


DGRC principle (Example for a 1m column)

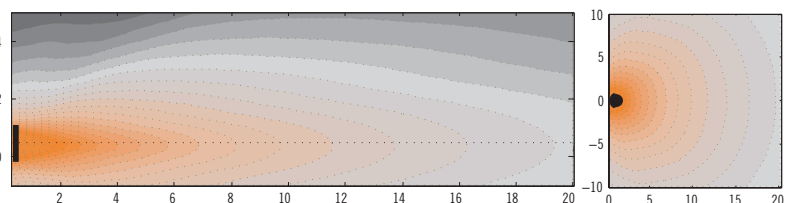


Ray-On is based on the DGRC principle: the internal loudspeaker inclination associated with the calculated height of installation allows to cover the audience area.

Hence Ray-On has to be mounted vertically. The range of Ray-On depends both of the Ray-On model and the height of installation.



Ray-On R110 vertical and horizontal directivity: sound level for the speech octaves (500Hz-1kHz-2kHz) in the vertical median plane and 80cm below the column.



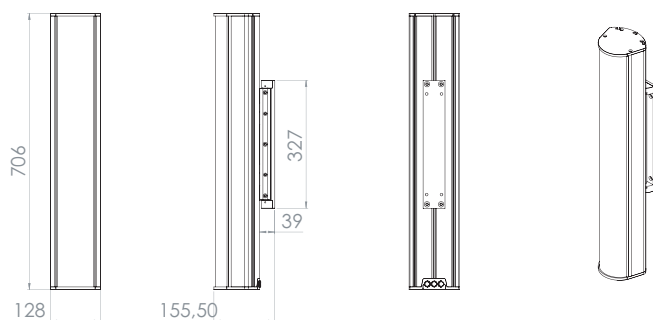
Standard 1m column vertical and horizontal directivity: sound level for the speech octaves (500Hz-1kHz-2kHz) in the vertical median plane.

R70+

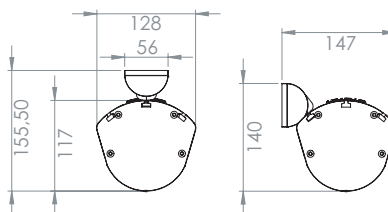
Technical Specifications

Mechanical drawing

Front views



Top views



Rigging



Technical Specifications

Acoustical data

Range +/- 3dB (nomial height)	6,5 m
Range +/- 5dB (nomial height)	12 m
Max SPL	91dB at 5m (105 at 1m)*
Frequency bandwidth (-10 dB)	120Hz- 18kHz
Horizontal opening angle (1 kHz)	180°
Loudspeaker	6x 2,5"

Mechanical data

Net weight	7,0 kg
Shipping weight	7,5 kg
Height	706 mm
Width	128 mm
Depth	117 mm
Standard colors	White RAL 9016 Black RAL 9005
Material	Aluminum body, treated steel Rustproof and UV proof

Electrical data

Inputs	Analog, Dante-AES67
Amplifier	175W Class D integrated amplifier
Power supply	90V-250V 50Hz-60Hz

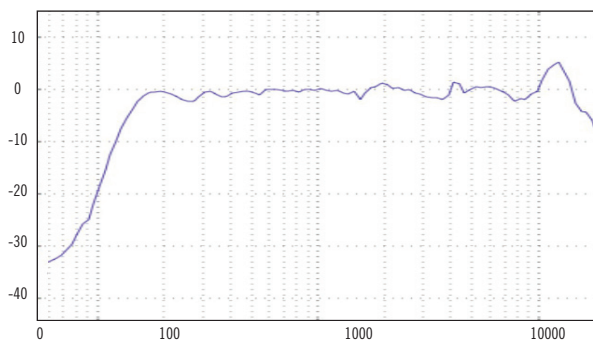
Tunning and exploitation

Equalisation	Optimal preprogrammed
Modeling	EASE/ CATT
Environnement	IP23 from -25°C to 55°C indoor
Mounting	Vertical
Nominal mounting height	2,0 m (bottom of loudspeaker)

*Estimated sound level based on a 6dB decreased by doubling distance from the measure pressure level at 5m.

Frequency response

Ray-On 70+ frequency response, with recommended equalisation. Average from 2 to 10m axis.



Range of the column versus different height of installation.

